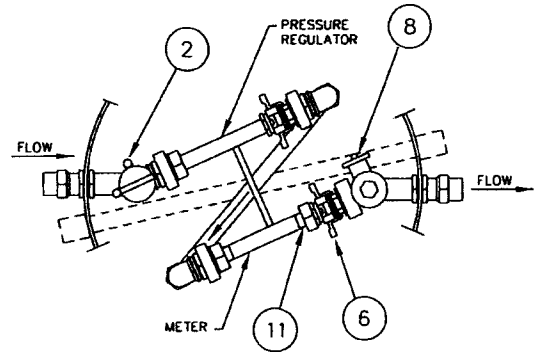
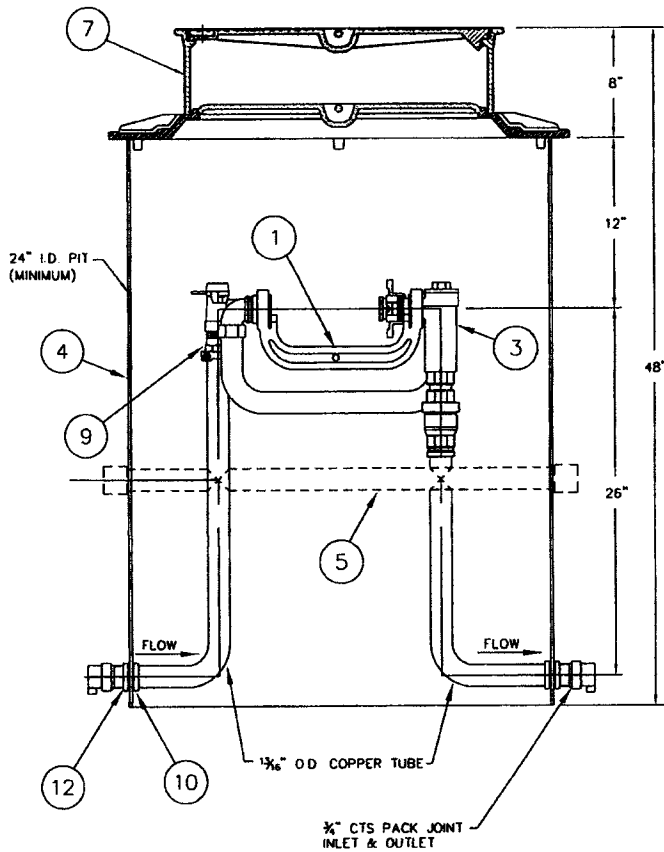


J:\AutoCAD Civil 3D 2009\Carroll\DETAILS\HTA-B\BOOK\SPEC\SHTA-B.dwg Jun 22, 2009 12:40pm sbrown



ITEM	DESCRIPTION	QTY	CATALOG NO
1	YOKE BAR	2	Y502
2	ANGLE BALL VALVE	1	BA13-332W
3	ANGLE DUAL CHK VALVE	1	HHCA94-323
4	METER PIT - MINIMUM I.D. 24"	1	N/A
5	1/2" PVC SUPPORT STRAPS	1	N/A
6	EXPANSION CONNECTION	2	EC-23
7	MONITOR COVER W/ INNER LID *	1	MC-36-MB
8	BALL VALVE	1	BB1-333-HB-34
9	SOLDER BUSHING	2	C08-33
10	INLET & OUTLET	2	C08-33
11	REGULATOR ADAPTER	2	BB1M-33
12	LOCK NUT	2	YLN-23

* ORDERED SEPARATELY

NOTES:

1. CATALOG NUMBERS SHOWN ARE AS MANUFACTURED BY THE FORD METER BOX COMPANY, INC OR APPROVED EQUAL
2. MARK INLET, OUTLET, & DIRECTION OF FLOW ON UNIT.
3. ALL BRASS OF B5-5-5-5 RED BRASS AWWA C800-B9 ASTM B62-93
4. A METER PIT IS REQUIRED WHEN:
 - BUILDING OR DWELLING HAS OVER 100 FT SET BACK FROM STREET.
 - SERVICE LINE CROSSES A STREAM, SWALE OR RETENTION BASIN
 - BUILDING OR DWELLING IS CONSTRUCTED ON A SLAB
 - HEATED AREA CANNOT BE PROVIDED FOR METER LOCATION
5. A METER PIT IS NOT REQUIRED WHEN:
 - BUILDING OR DWELLING HAS LESS THAN 100 FT SET BACK FROM STREET
 - BUILDING OR DWELLING IS CONSTRUCTED WITH A BASEMENT
 - PROPER SPACE CAN BE PROVIDED IN A HEATED AREA FOR METER
 - SERVICE LINE DOES NOT CROSS A STREAM, SWALE OR RETENTION BASIN

HORSHAM WATER & SEWER AUTHORITY		
DSG. BY: JASP	CKD. BY: WNM	STANDARD HIGH PRESSURE WATER METER PIT FOR 3/8" x 3/4" & 3/4" METERS
DATE: 2-4-08	SCALE: NONE	
REVISION	DATE	STANDARD DETAIL W25
GENERAL REVISIONS	6-18-09	