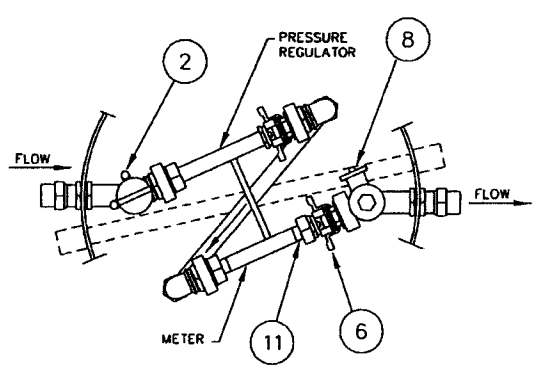
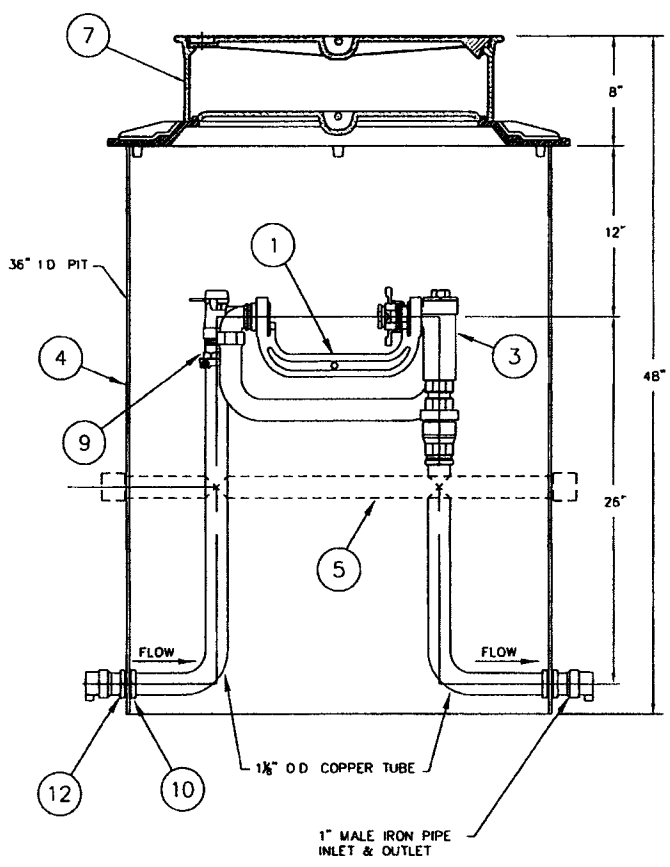


J:\AutoCAD Civil 3D LDD 2009\Carroll\DETAILS\HTA--B\BOOK\SPEC\HTA-B.dwg Jun 22, 2009 12:41pm sbrown



NOTES:

1. CATALOG NUMBERS SHOWN ARE AS MANUFACTURED BY THE FORD METER BOX COMPANY, INC OR APPROVED EQUAL
2. MARK INLET, OUTLET, & DIRECTION OF FLOW ON UNIT.
3. ALL BRASS OF B5-5-5 RED BRASS AWWA C800-89 ASTM B62-93
4. A METER PIT IS REQUIRED WHEN:
 - BUILDING OR DWELLING HAS OVER 100 FT SET BACK FROM STREET
 - SERVICE LINE CROSSES A STREAM, SWALE OR RETENTION BASIN
 - BUILDING OR DWELLING IS CONSTRUCTED ON A SLAB
 - HEATED AREA CANNOT BE PROVIDED FOR METER LOCATION
5. A METER PIT IS NOT REQUIRED WHEN:
 - BUILDING OR DWELLING HAS LESS THAN 100 FT SET BACK FROM STREET
 - BUILDING OR DWELLING IS CONSTRUCTED WITH A BASEMENT
 - PROPER SPACE CAN BE PROVIDED IN A HEATED AREA FOR METER
 - SERVICE LINE DOES NOT CROSS A STREAM, SWALE OR RETENTION BASIN

| ITEM | DESCRIPTION | QTY | CATALOG NO |
|------|------------------------------|-----|---------------|
| 1 | YOKE BAR | 2 | YS04 |
| 2 | ANGLE BALL VALVE | 1 | BA13-444W |
| 3 | CARTRIDGE DUAL CHK VALVE | 1 | HHCA94-444 |
| 4 | 36" DIA PIT | 1 | N/A |
| 5 | 1/2" PVC SUPPORT STRAPS | 1 | N/A |
| 6 | EXPANSION CONNECTION | 2 | EC-4 |
| 7 | MONITOR COVER W/ INNER LID * | 1 | MC-36-MB |
| 8 | BALL VALVE | 1 | BB1-444-HB-34 |
| 9 | SOLDER BUSHING | 2 | COB-44 |
| 10 | INLET & OUTLET | 2 | COB-44 |
| 11 | REGULATOR ADAPTER | 2 | BBIM-44 |
| 12 | LOCK NUT | 2 | YLN-4 |

* ORDERED SEPARATELY

| HORSHAM WATER & SEWER AUTHORITY | | |
|---------------------------------|--------------|--|
| DSG. BY: JASP | CKD. BY: WNM | STANDARD HIGH PRESSURE WATER METER PIT FOR 1" METERS |
| DATE: 2-4-08 | SCALE: NONE | |
| REVISION | DATE | |
| GENERAL REVISIONS | 6-18-09 | STANDARD DETAIL W26 |
| | | |