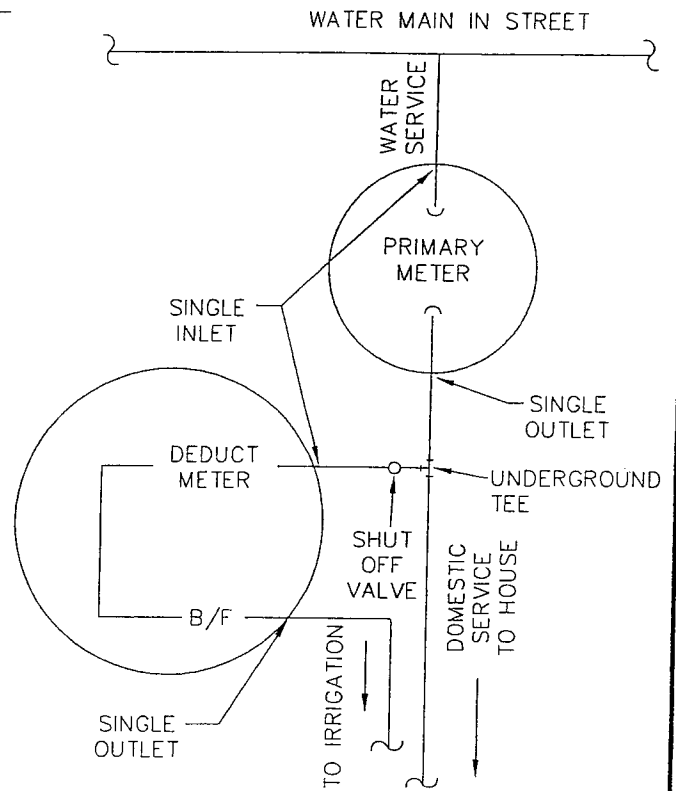
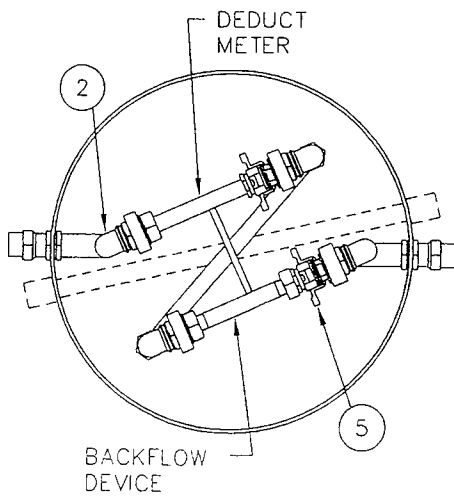


DEDUCT METER PIT  
SECTION VIEW



SYSTEM LAYOUT



DEDUCT METER PIT  
PLAN VIEW

HORSHAM WATER & SEWER AUTHORITY		
DSG. BY: JASP	CKD. BY: WNM	EXISTING WATER METER PIT W/SEPARATE PIT FOR DEDUCT METER
DATE: 2-4-08	SCALE: NONE	
REVISION	DATE	STANDARD DETAIL D2-A

DEDUCT METER SIZE			5/8" X 3/4"	3/4"	1"
ITEM	DESCRIPTION	QTY.	CATALOG NO.	CATALOG NO.	CATALOG NO.
1	YOKE BAR	2	Y502	Y503	Y504
2	YOKE ELBOW	4	L92-23	L92-23	L92-44
3	METER PIT - MINIMUM I.D. 24"	1	N/A	N/A	N/A
4	1/2" PVC SUPPORT STRIPS	1	N/A	N/A	N/A
5	EXPANSION CONNECTION	2	EC-23	EC-23	EC-4
6	MONITOR COVER W/INNER LID *	1	MC-24-MB	MC-24-MB	MC-24-MB
7	SOLDER BUSHING	2	C08-33	C08-33	C08-44
8	INLET/OUTLET	2	C08-33	C08-33	C08-44
9	LOCK NUT	2	YLN-23	YLN-23	YLN-4

\* ORDERED SEPARATELY

**NOTES:**

1. CATALOG NUMBERS SHOWN ARE AS MANUFACTURED BY THE FORD METER BOX COMPANY, INC. OR APPROVED EQUAL.
2. MARK INLET, OUTLET, & DIRECTION OF FLOW ON UNIT.
3. ALL BRASS OF 85-5-5-5 RED BRASS AWWA C800-89 ASTM B62-93.
4. A METER PIT IS REQUIRED WHEN:
  - BUILDING OR DWELLING HAS OVER 100 FT SET BACK FROM STREET.
  - SERVICE LINE CROSSES A STREAM, SWALE OR RETENTION BASIN.
  - BUILDING OR DWELLING IS CONSTRUCTED ON A SLAB.
  - HEATED AREA CANNOT BE PROVIDED FOR METER LOCATION.
5. A METER PIT IS NOT REQUIRED WHEN:
  - BUILDING OR DWELLING HAS LESS THAN 100 FT SET BACK FROM STREET.
  - BUILDING OR DWELLING IS CONSTRUCTED WITH A BASEMENT.
  - PROPER SPACE CAN BE PROVIDED IN A HEATED AREA FOR METER.
  - SERVICE LINE DOES NOT CROSS A STREAM, SWALE OR RETENTION BASIN.
6. BACKFLOW DEVICE MUST BE TESTABLE.

HORSHAM WATER & SEWER AUTHORITY			
DSG. BY: JASP	CKD. BY: WNM	EXISTING WATER METER PIT W/SEPARATE PIT FOR DEDUCT METER	
DATE: 2-4-08	SCALE: NONE		
REVISION	DATE		
		STANDARD DETAIL D2-B	