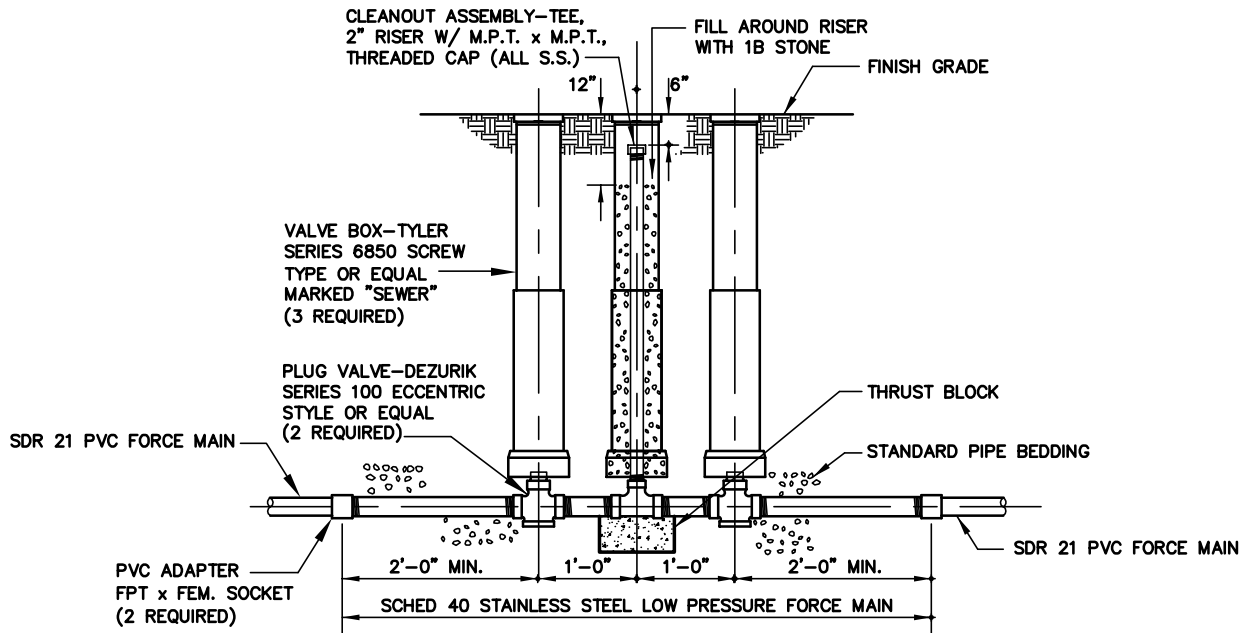


TERMINAL CLEANOUT



INLINE CLEANOUT

HORSHAM WATER & SEWER AUTHORITY

DETAIL S19

**LOW PRESSURE SEWER
SYSTEM CLEANOUT DETAILS**

DATE:

SEPTEMBER 14, 2015

SCALE:

NOT TO SCALE