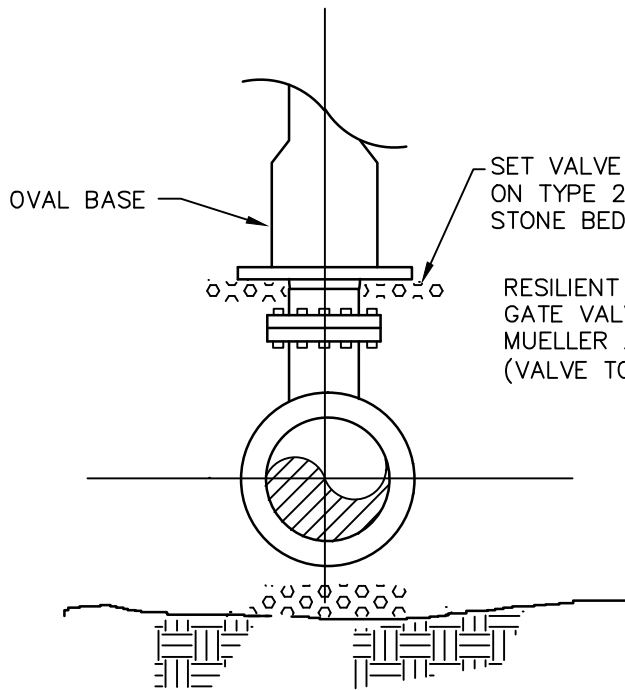


COVER DETAIL

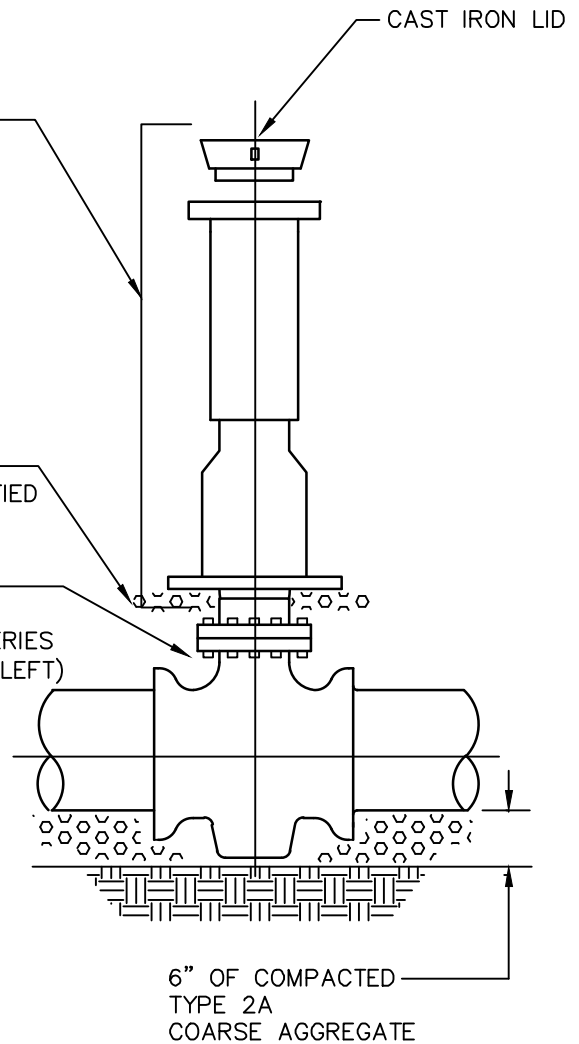
3 PIECE CAST IRON VALVE  
SLIP TYPE BOX ASSEMBLY,  
BITUMINOUS COATED



END VIEW

SET VALVE BOX  
ON TYPE 2A MODIFIED  
STONE BEDDING

RESILIENT SEAT,  
GATE VALVE  
MUELLER 2360 SERIES  
(VALVE TO OPEN LEFT)



6" OF COMPACTED  
TYPE 2A  
COARSE AGGREGATE

ELEVATION

**HORSHAM WATER & SEWER AUTHORITY**

**DETAIL W1**

**STANDARD GATE VALVE  
AND VALVE BOX**

DATE:

MARCH 23, 2015

SCALE:

NOT TO SCALE