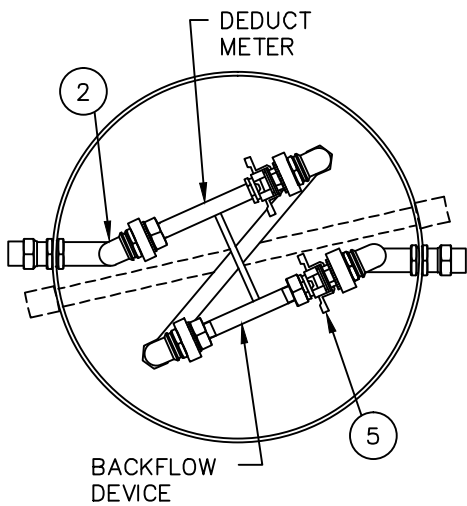
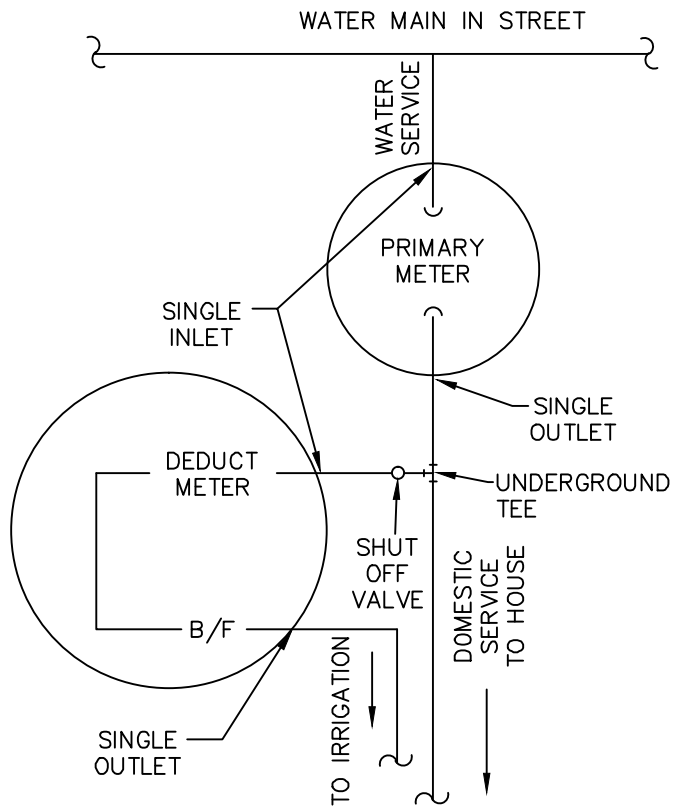


DEDUCT METER PIT SECTION VIEW



DEDUCT METER PIT PLAN VIEW



SYSTEM LAYOUT

HORSHAM WATER & SEWER AUTHORITY

DETAIL W14A

**RESIDENTIAL IRRIGATION
SYSTEM EXISTING WATER METER
PIT WITH SEPARATE PIT FOR
DEDUCT METER**

DATE:
MARCH 23, 2015

SCALE:
NOT TO SCALE