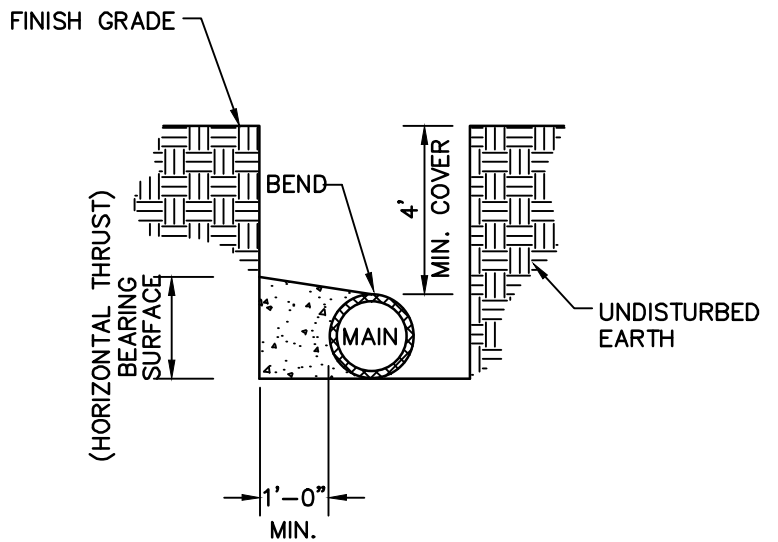
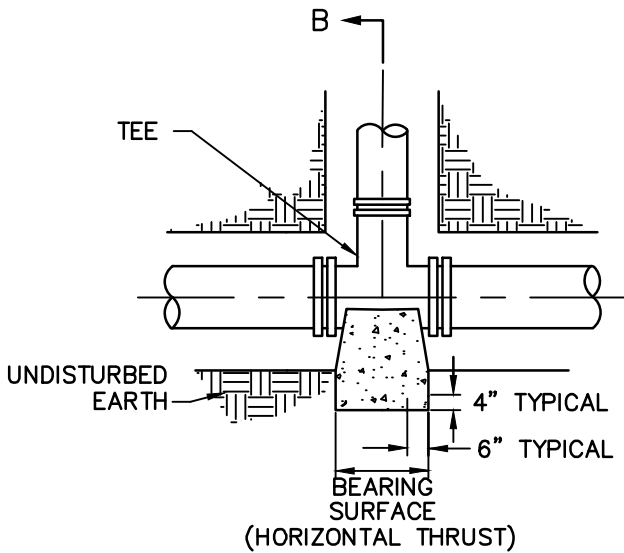


A ←  
PLAN VIEW

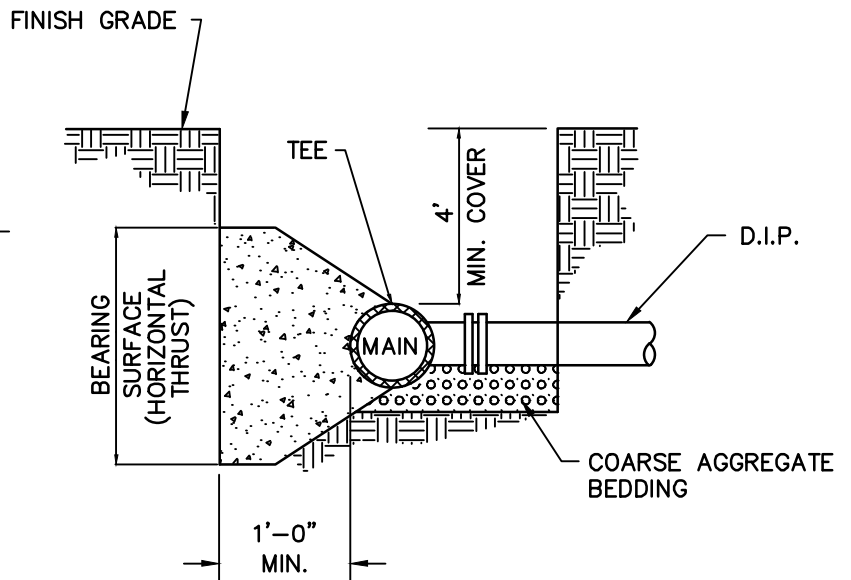


SECTION A-A

THRUST BLOCKING AT HORIZONTAL BEND



B ←  
PLAN VIEW



SECTION B-B

THRUST BLOCKING AT TEE

<p><b>HORSHAM WATER &amp; SEWER AUTHORITY</b></p>	<p><b>DETAIL W22-A</b></p>	<p><b>THRUST BLOCK DETAILS (1 OF 4)</b></p>
<p>DATE: MARCH 23, 2015</p>		<p>SCALE: NOT TO SCALE</p>